

BW-Fixatoren®

Serie SW

... for horizontal
Adjusting and
Absorbtion of
horizontal forces

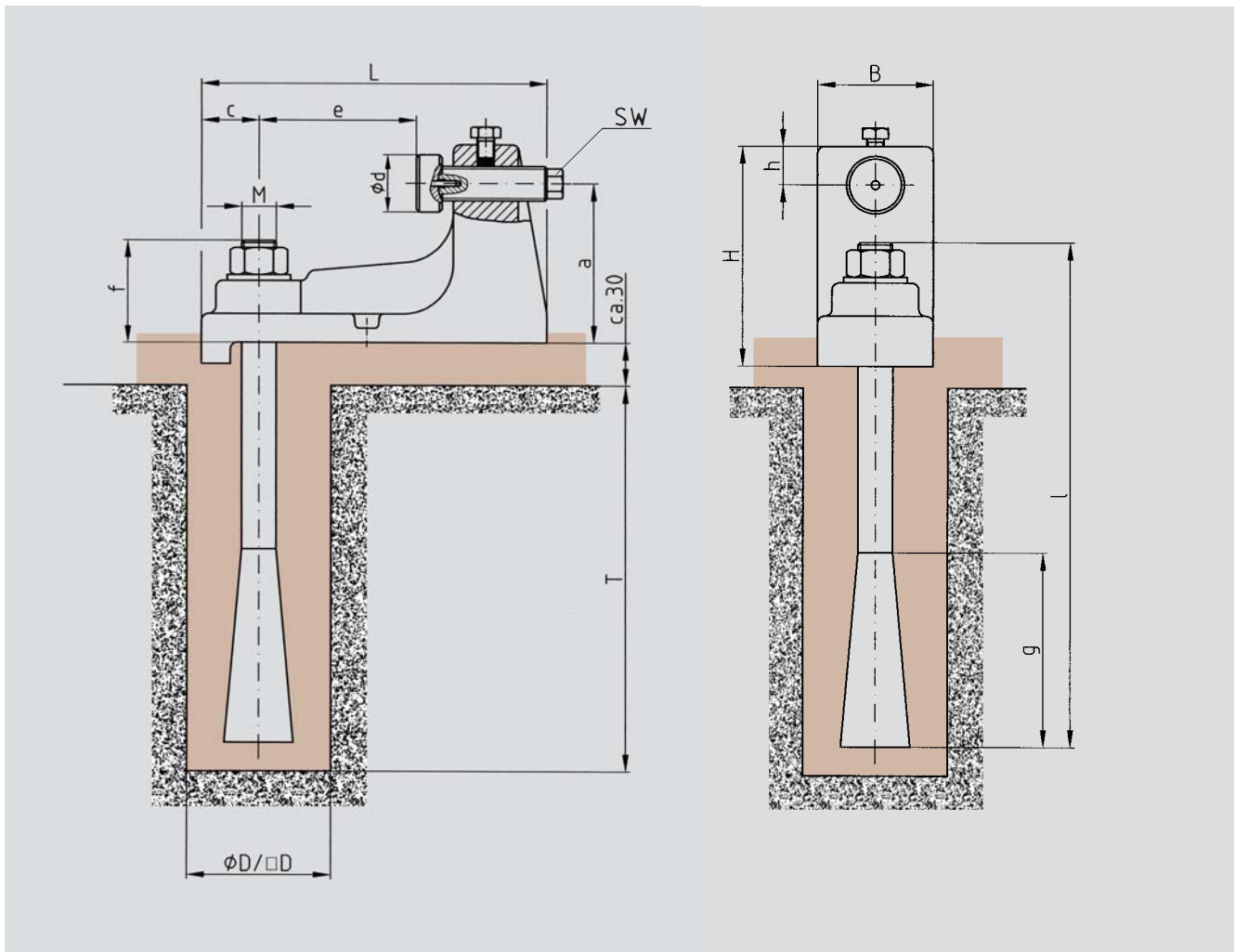
Dimensions and
Technical Data



BWF
...the best for accuracy.

Dimensions of Serie SW

GA Basic unit



Size	L	B	H	Ø d	SW	e		c	a	f	h	M	l	g
						min.	max.							
II	240	80	153	40	17	95	115	40	110	70	27	24	370	135
III	325	100	190	50	24	130	150	50	145	90	30	30	460	150
IV	340	130	240	70	36	110	140	60	175	110	45	36	600	180
V	360	150	265	70	36	120	150	60	192	120	45	36	600	180

Size	Foundations	
	D	T
II	100	300
III	120	360
IV	150	500
V	150	500

Technical Data of Serie SW

Size	Dim	SW II	SW III	SW IV	SW V	
Permissible maximum load	N	60 000	100 000	200 000	300 000	
Permissible maximum adjusting load	N	40 000	70 000	120 000	150 000	
Torque at adjusting screw	Specific	$\frac{\text{N}\cdot\text{m}}{10^3 \text{ kg}}$	25	30	35	35
	Maximum	N·m	100	210	420	525
Adjusting per screw turn	mm	3	3	3	3	
Max. torque at the anchor bolt	N·m	400	800	1400	1700	
Weight	kg	9	16	32	50	

Formula to calculate the adjusting force

[μ (steel/cast iron) $\approx 0,2$]

$$Fr[N] = Fg[N] \times \mu$$

- Fr Adjusting force
- Fg Weight of the machine
- μ Coefficient of friction

The height of the SW-Fixators® is conform to the height of the serie RK

Subject to modification without notice